

# Full 2x2 Mechanical Optical Switch

## Descriptions

The Full 2x2 fiber optic switch connects optical channels by directing or blocking an incoming optical signal into the output fiber. This is achieved using a patent pending opto-mechanical configuration and activated via an electrical control signal.

## Features

- ▶ Unmatched Low Cost
- ▶ Low Optical Distortions
- ▶ High Return Loss High Isolation
- ▶ Epoxy-Free Optical Path
- ▶ High Reliability

## Applications

- ▶ Configurable Add/Drop
- ▶ System Monitoring
- ▶ Instrumentation
- ▶ Channel Blocking

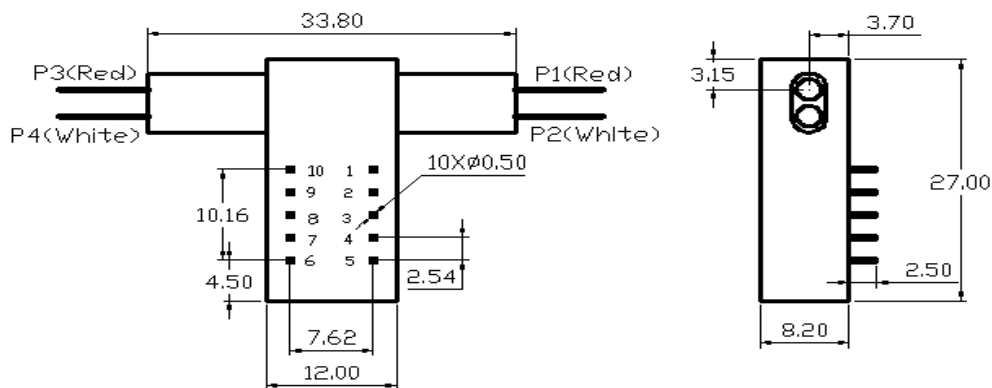
## Specifications

Parameters	Unit	Specifications
Operating Wavelength	nm	1260~1620(SM)
Insertion Loss	dB	≤1.0
Wavelength Dependent Loss	dB	≤0.25
Polarization Dependent Loss	dB	≤0.05
Temperature Dependent Loss	dB	≤0.20
Return Loss	dB	SM≥50
Cross Talk	dB	SM≥55
Switch Time	ms	≤8
Repeatability	dB	≤±0.02
Durability	times	≥10 <sup>7</sup>
Operating Voltage	V	3 or 5
Switch Type		Non-Latching/Latching
Operating Temperature	°C	-20~+70
Storage Temperature	°C	-40~+85
Optical Power	mW	≤500
Dimension	mm	27.0L×12.0W×8.2H

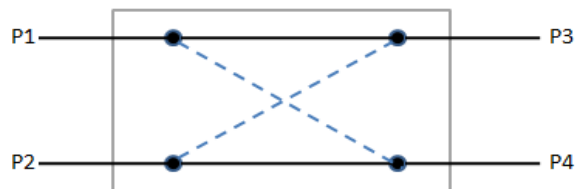
### Pin Configurations:

Type	Optical Route	Electric Drive				State Sensor			
2x2B		Pin 1	Pin 5	Pin 6	Pin 10	Pin 2-3	Pin 3-4	Pin 7-8	Pin 8-9
Latching	P1-P3	--	--	GND	V+	Close	Open	Open	Close
	P1-P4、P2-P3	V+	GND	--	--	Open	Close	Close	Open
Non-latching	P1-P3	--	--	--	--	Close	Open	Open	Close
	P1-P4、P2-P3	V+	--	--	GND	Open	Close	Close	Open

### Mechanical Dimensions (Unit:mm)



### Optical Route



### Ordering Information

F22MOS - A - B - C - D - E - F - G		
<b>A</b>	Wavelength	1060,C+L,1310,1410,1550,650,780,1260~1620,1310/1550,850,Special
<b>B</b>	Switch Type	Latching, Non-latching, MINI Latching, MINI Non-latching, or others
<b>C</b>	Voltage	03=3V,05=5V,Special
<b>D</b>	Fiber Type	SMF-28e, G657A, etc
<b>E</b>	Pigtail Type	BF=Bare Fiber, 0.9=900um tube, or others
<b>F</b>	Connector Type	N=None, LC/UPC, LC/APC, SC/UPC,SC/APC, FC/UPC, FC/APC, etc
<b>G</b>	Fiber length	003=0.3m, 005=0.5m; 010=1.0m 100=10m etc

For example: F22MOS-1460~1620-05-SMF28e-0.9-N-010